

LIGHT COVES

SPECIALTY LIGHTING APPLICATIONS & LIGHT TROUGHS



DFW INTERNATIONAL AIRPORT
DFW Airport, TX



ONE WORLD TRADE CENTER
New York, NY

LIGHT COVES

Light Coves are an extruded aluminum indirect lighting system that illuminate a space in an economical yet elegant way.

DESIGN ELEMENTS / BENEFITS

- Crisp appearance – Profiles are created from extruded aluminum
- Installs more economically than gypsum or fiberglass reinforced gypsum shapes
- Unmatched durability
- Multiple profiles available. New profiles can be created.
- Field or factory finished
- 10' lengths of straight material
- Factory welded end caps and corners available to complete the system
- Integrated hanger bracket and light fixture cradle installs 4' O.C.
- Positive locking splices with thumb screws provide simple installation at cove joints
- Most profiles tape and float easily with gypsum soffit or wall applications
- Joints are filled with caulk or filler materials for a seamless appearance
- Most profiles can be curved to a minimum 20' radius



AMWAY CENTER, ORLANDO MAGIC
EVENTS CENTER
Orlando, FL

APPLICATIONS

- Installed continuous or interrupted
- Light sconces
- Custom light fixtures
- Add reflectors to improve the efficiency of lighting
 - 6" radius extruded reflectors
 - Custom reflectors larger than 6" - Roll formed per your radius requirements
- Lighting supplied by electrical lighting contractor
- Supports more than one fixture type



WALGREEN'S BUCKTOWN
Chicago, IL



NAVY HOUSING FACILITY
San Diego, CA



ASSOCIATION OF AMERICAN MEDICAL COLLEGES
Washington, D.C.

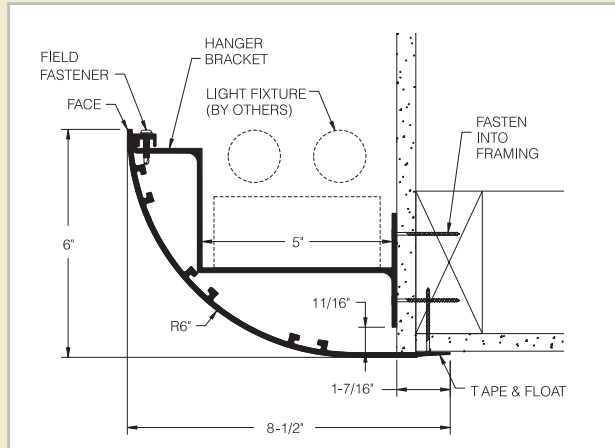


CISCA Construction
Excellence Award Winner

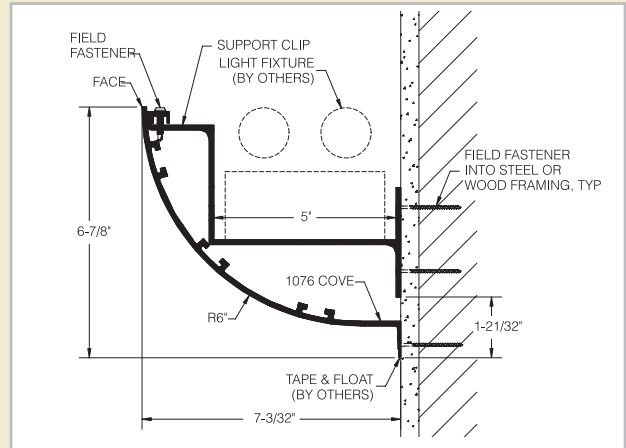
HARMON PLACE AT ARIA RESORT
AND CASINO, CITYCENTER
Las Vegas, NV

PROFILES

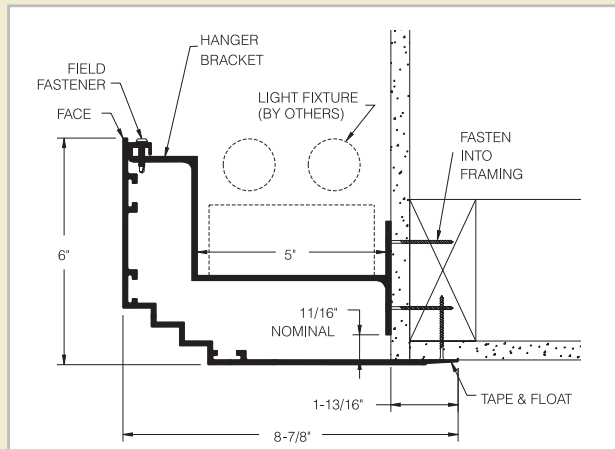
1066



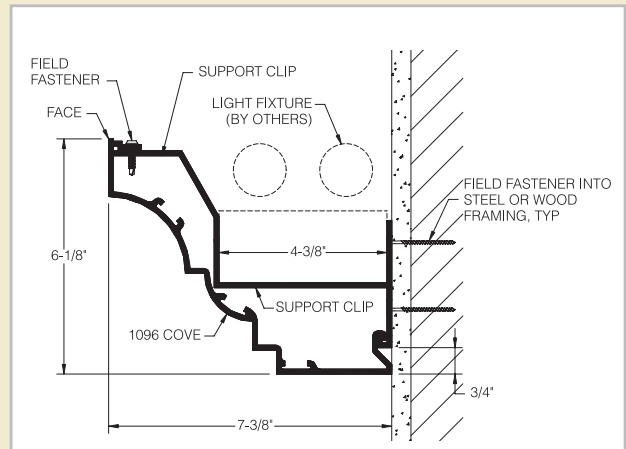
1076



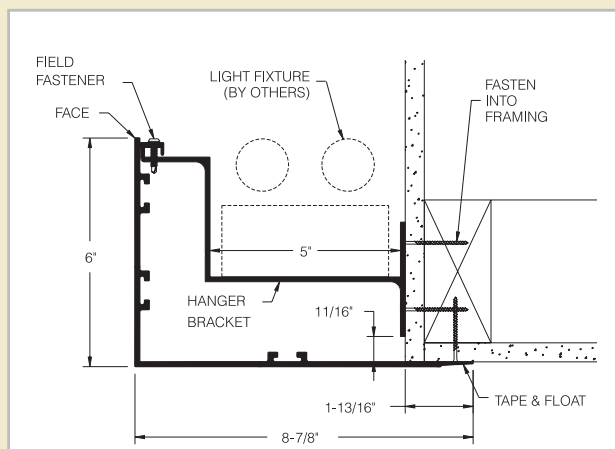
1086T



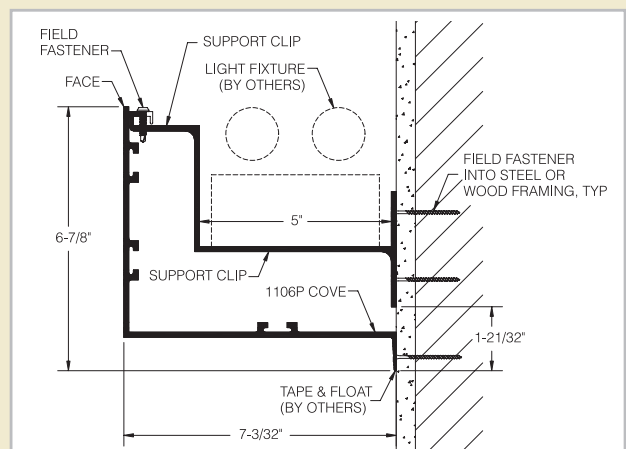
1096



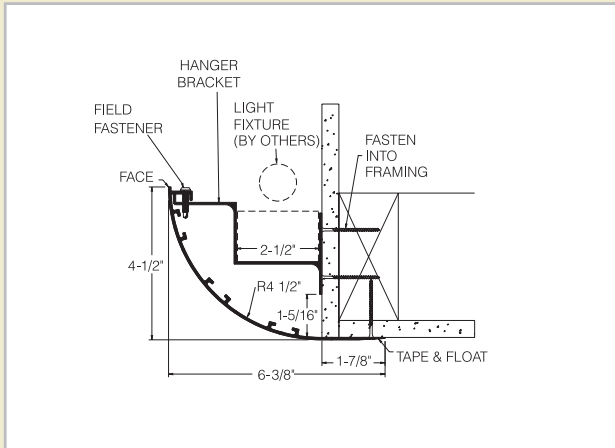
1106T



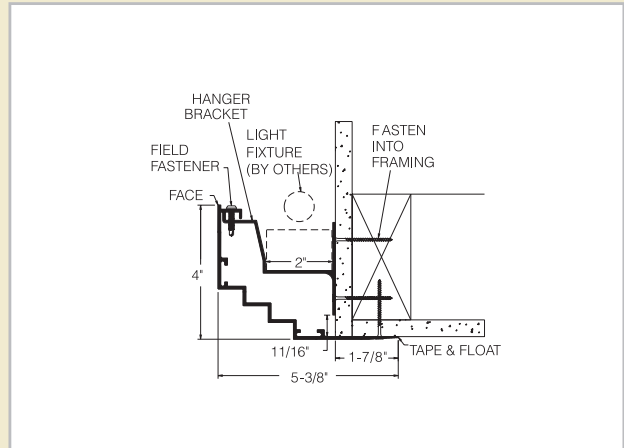
1106P



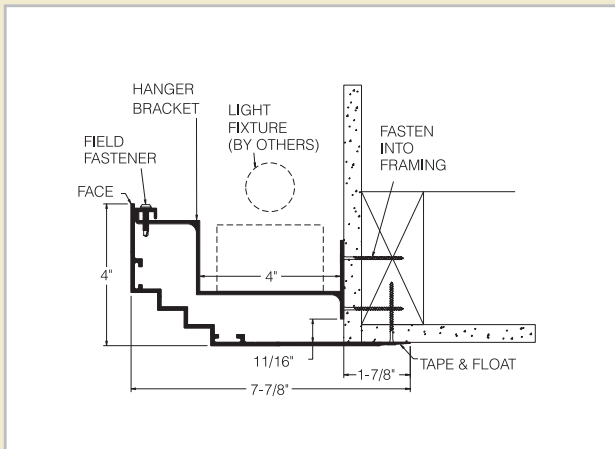
1066R



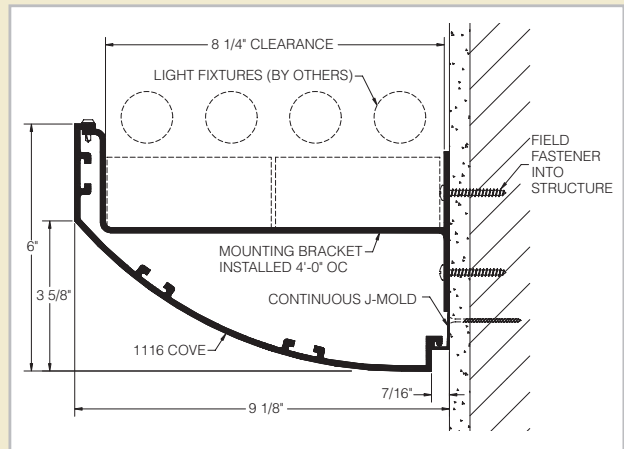
1086STR



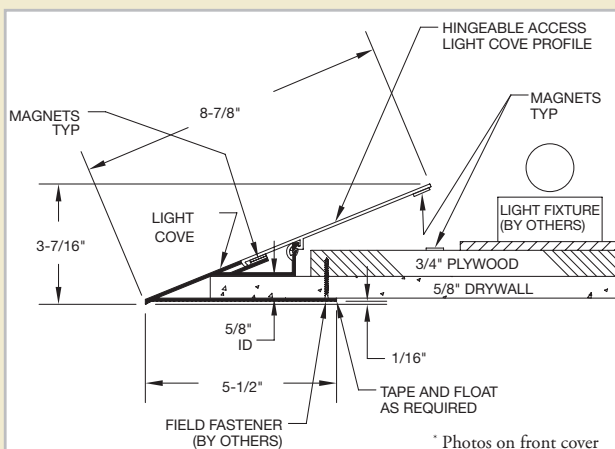
1086TR



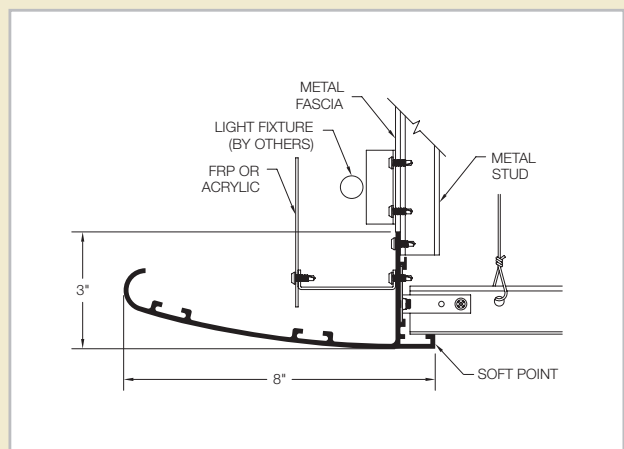
1116



ONE WORLD TRADE CENTER

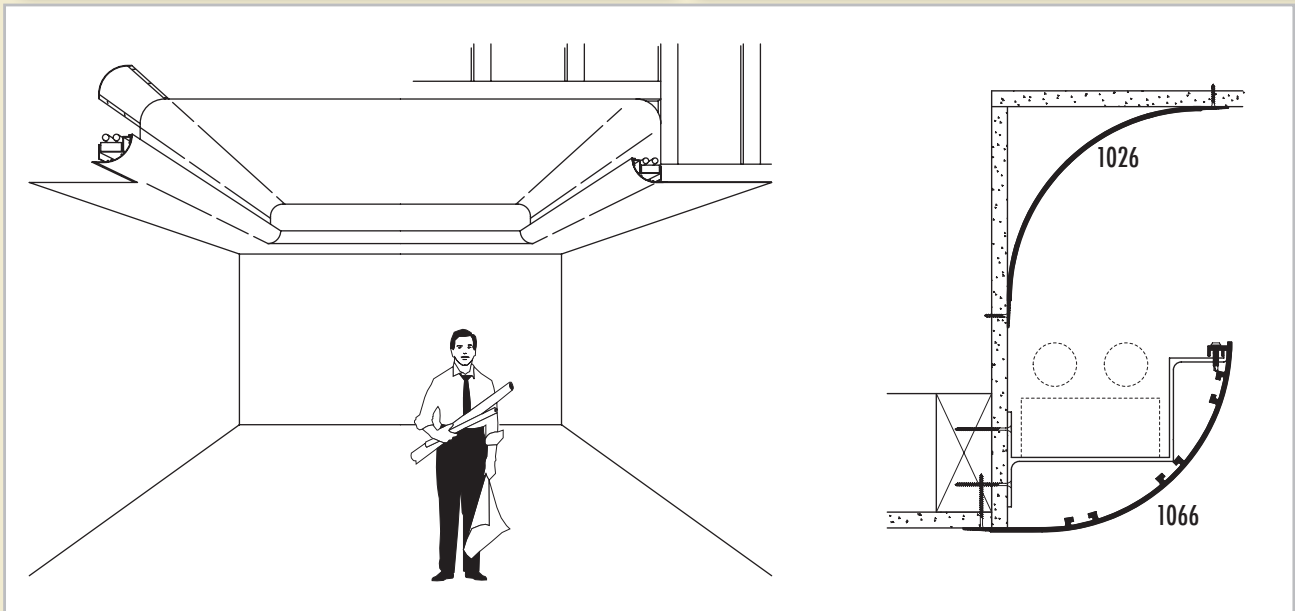
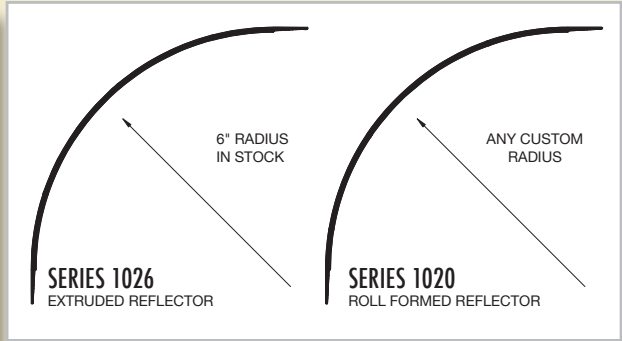
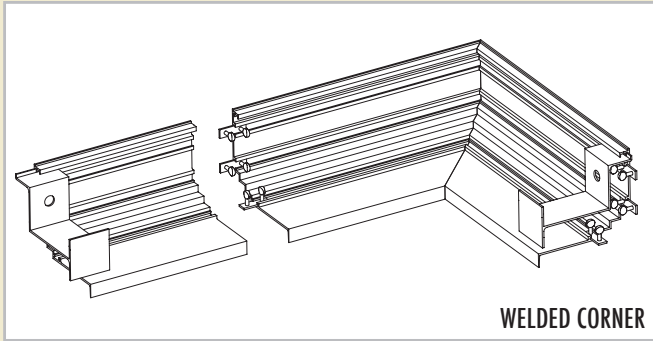


SOFT POINT



LIGHT COVES

DETAILS





COMMUNITY COLLEGE OF BALTIMORE
COUNTY LEARNING CENTER
Catonsville, MD



VERSA FINANCE
Bossier City, LA



SOUNDFIGHTER SYSTEMS
Shreveport, LA



THE SPA & SALON, ARIA RESORT
AND CASINO, CITYCENTER
Las Vegas, NV



BELK DEPARTMENT STORE
Charlottesville, VA

FINISHES

- Conversion coat for field painting
- Acrylic Water Base "Wet" Paint
- Powder Coat - Durable Painted Finishes
 - Standard Finishes
 - ACROGUARD® Enhanced Durability Finishes
 - ACROGUARD®-UVX Durable Exterior
 - ACROSTAT™ Antimicrobial
 - Metallic

GREEN BY DESIGN

- Products contribute to LEED®¹ certification
- 38.1% recycled aluminum extrusions
 - 29.4% pre-consumer content
 - 8.7% post-consumer content
- In-House Finishes
 - Biodegradable pre-treatment (No phosphates) powder coat
 - No hazardous waste
 - No VOCs
 - No heavy metals
- Reference our sustainable products brochure and website for more information. Recycled content values are subject to change. Contact us for accurate values or job specific requirements.

GORDON[®]
INCORPORATED

5023 HAZEL JONES ROAD, BOSSIER CITY, LA 71111
800.747.8954
800.877.8746 FAX
SALES@GORDON-INC.COM
GORDON-INC.COM
AN EMPLOYEE OWNED COMPANY

¹ LEED® is a registered trademark of the U.S. Green Building Council.

